

# WOODCHIPS

Sawdust & Woodchips Woodworking Association  
[www.sawdustwoodchips.org](http://www.sawdustwoodchips.org)



## THIS MONTH'S EVENT!

Using a jig with your woodworking projects will make your shop time more efficient, accurate, and safe. Jigs can be made from scratch and can be as simple as a block that provides a common size for cutoffs. It can also be very complicated or a purchased device. Jigs can be anything. The key is that they simplify woodworking. At the next monthly meeting of the Sawdust & Woodchips Woodworking Association (SWWA) on **Thursday, July 10<sup>th</sup>** the meeting will focus on jigs. At this meeting, we ask that you, the members, bring a jig or a set of jigs that you use in your shop. We will have a special area for jigs. When you arrive, place your jig(s) on the tables and sign in. After our break, you will be asked to talk about the jig, explaining to those assembled what the jig is used for. **If you could, please bring a brief explanation of your jig, including what you use it for.** This information will be helpful when the next newsletter is written. This evening is always fun as well as informative.

What else will happen at the July meeting? We will have our short business meeting and our usual *Show & Tell* session. There will be sign-up sheets for volunteering at the New York State Fair as well as attending the family picnic. This will be the last time to sign up for the picnic since it will happen a week before the August meeting. Also, **Charlie LaPrease** will run our 50/50 and start a new 3 month raffle. Remember ... Snacks are always welcome! See you on July 10<sup>th</sup>! ✂

## THE SWWA FAMILY PICNIC

Our annual family picnic is on **Saturday, August 2<sup>nd</sup>**, one week earlier than normal. Why? In order to use the Community Room at Belgium Cold Springs Station 1, we needed to move the picnic date. So, check with the family, and plan to attend. Roland already gave Charlie orders for the meat and Barbara is already working on puzzles! There will be sign-up sheets at the July meeting! More details are on page 4.

**FAMILY PICNIC – SAT, AUGUST 2 – 1-4pm**

## THE SWWA WEBSITE

When you have a chance, visit our club website – [www.sawdustwoodchips.org](http://www.sawdustwoodchips.org). It is totally revamped. There are still a few changes that need to be made and pages that need to be added, but it is a start. If you have suggestions for changes, please let Barbara know. ✂

Monthly Meeting Information  
Thursday, July 10<sup>th</sup>, 2014

**IT'S JIG  
NIGHT!**  
with You as the Star!

*DON'T FORGET SHOW & TELL!*

*Reminder: Meeting starts at 6:30PM and is held at the Canton Woods Senior Center in Baldwinsville. Directions are on the back page and on the updated website.*

Early AUGUST EVENT!  
**ANNUAL FAMILY  
PICNIC**

**Saturday, August 2<sup>nd</sup>  
1-4pm**

*Belgium Cold Springs Station  
1 Community Room*

**Bring a Dish to Pass – No Charge**

*See Page 4 for Details & Directions*

*Bring Projects for Instant Gallery*

## PRESIDENT'S CORNER



Summer certainly has arrived! That's good news after the harsh winter we had but gee whiz, does it have to be so hot? I like it about 80 and low humidity and hate to run the air conditioning. Yep, you guessed it ... the air conditioning went on yesterday. It was just oppressive.

Charlie and I have arranged a special event for all local woodworkers. Our neighbor cut an ash tree and donated the 11 foot long log to us for *whatever*. About the same time, our *John Anderson* offered to bring his Wood-Mizer down to demonstrate log cutting. Put the 2 ideas together and on Saturday, July 19<sup>th</sup>, John will set up at the 8 Acres Event Center (our house) for the demo. We dragged the log out of the forested area a couple weeks ago and just moved the log here to our yard. If you have a log that needs cutting, bring it along. This is a great opportunity to see a portable sawmill in operation. If you have questions, call Charlie at 720-7151. Directions? Use the directions to the firehouse on page 4 and continue down Patchett Rd. We'll park folks in the back or on one side of the street.

Are you entering one or more of your projects into the New York State Fair competitions? Competition info is on the Fair website. Entry forms are due by **July 7<sup>th</sup>** with all entries delivered on **August 7<sup>th</sup>, 8<sup>th</sup>, and 9<sup>th</sup>**. Better get going if you are planning to enter!

In late May, I converted the SWWA website to our new one. If you haven't looked at it, check it out. It is a start. I am working on some additional pages but what do you think needs to be added?

In between writing this newsletter and the one for the CNY Woodturners, I found time to work on projects in the nice, cool basement shop. I finished cutting the five pieces that I will give to my nephew in August to celebrate his wedding. I cut a heart clock, a wedding plaque, a serving tray, and 2 photo desk accessories. I still have a hostess gift for my sister to complete and Charlie needs to create the wedding goblet. Once I get my re-sawer going, I can start on my primary entry into the State Fair.

Don't forget that the club family picnic is **AUGUST 2<sup>nd</sup>**, not the week after our meeting. We hope you will attend this **FREE** event. All you need to bring is your plate and silverware plus a dish to pass – even if you buy something at the store. It is a great opportunity to get together in an informal setting with fellow woodworkers and their families. Yes, I will create a new puzzle that will challenge you, and yes, we still have the tables for showing your projects! So, talk to your family and plan on spending the afternoon of August 2<sup>nd</sup> with us!

Well it's time to close but ... Keep on creating!

*Barbara* ✂

## RAFFLE RESULTS

The winner of the June 50/50 raffle of \$57 was *Ed Rantanen*. Oddly enough, the piece of spalted wood donated by *Chad Dawson*, was also won by *Ed*. The Dewalt 18V compact drill was won by *Stan Wiley*. ✂

## MEMBERSHIP BADGES

All members are encouraged to wear their badges where everyone can see them so they are easily identified by others at the meeting. New members should stop on the way into the meeting to pick-up their badges from our treasurer, *Stan Wiley*. ✂

## NEW MEMBERS & VISITORS

We had no new members this month but we had two gentlemen renew: *Charles Donovan* and *Rudd Hendee*. With their renewal, our membership is 161 – with 20 new members. We had five registered visitors at the June meeting: *Jim Brady* of Brewerton, *Paul Cobb* of Mannsville, *Kimberly Jackson* of Syracuse, *Alyssa Jenkins* of Baldwinsville. and *Greg Potter* of Syracuse.

If you know of folks who should be members, bring them to a meeting and/or let Barbara know so a newsletter can be sent! ✂

## MEMBERSHIP INFORMATION

SWWA's membership runs the calendar year. Half year memberships are available in July. Membership renewals and new memberships are received year round. Checks should be made payable to *SWWA*. All memberships must have the enclosed form completed and the liability statement signed [the form is also at [www.sawdustwoodchips.org](http://www.sawdustwoodchips.org), and available at all meetings]. We understand that in many cases nothing changes, each year we like to verify that the membership database contains accurate information. Also, we must have a signed liability statement completed each year to financially protect the SWWA membership and everyone involved with the SWWA. So, it is not enough just to send a check, we need the completed and signed form as well. Renewals and checks can be sent to our treasurer Stan as follows: **SWWA, % Stan Wiley, 4122 Abbey Road, Syracuse, NY 13215.** Do not send cash. ✂

## OFFICERS & BOARD OF DIRECTORS – 2014

|                 |                          |          |
|-----------------|--------------------------|----------|
| President:      | Barbara Raymond-LaPrease | 638-1217 |
| Vice President: | Charlie LaPrease         | 638-1217 |
| Secretary:      | Tony Baleno              | 492-2795 |
| Treasurer:      | Stan Wiley               | 492-3197 |
| Special Events: | Bob Casey                | 263-9228 |
| Board Member:   | Greg Bogardo             | 451-6573 |
| Board Member:   | Rod Castle               | 638-2659 |
| Board Member:   | Mic Jenkins              | 635-7661 |
| Board Member:   | Bruce Meissner           | 699-3671 |
| Board Member:   | John Meloling            | 638-1153 |
| Board Member:   | Bob Norton               | 451-1178 |
| Board Member:   | Peter Oster              | 685-1542 |
| Board Member:   | Roland Pearson           | 488-3643 |
| Board Member:   | David Peckham            | 682-2774 |
| Board Member:   | Don Vanderveer           | 635-6409 |

## OUR JUNE MEETING

Did you miss the June meeting? Well, you missed a very informative, flowing discussion about spalted wood and home-grown spaltling by **Dr. Chad Dawson**.



Chad walked the audience through all the basics – who the expert is ([Dr. Sara Robinson](#) at Oregon State), what spaltling is, what environment spaltling needs to happen, zone lines, bleaching, punk, pigmentation, turkey trails, dead man's fingers, and even showed us how he is spaltling wood in both bins and at the forest at his *Naughton Experimental Station*. Chad used bowls he turned of various woods to help explain each concept. He also covered safety issues related to working with spalted wood.



Before Chad gave his wonderful presentation, we enjoyed a small but fun *Show & Tell* session. **Bob Casey** led off talking about and showing photos of the new outfeed table he built. Bob is on a new found mission to build various projects for both competition and sale.



At the auction in May, **Bernd Krause** bought a piece of natural edged walnut. The dulcimer he showed at the June meeting was made from this piece.

**Mic Jenkins'** 14 year old granddaughter **Alyssa** showed a pressed flower shadow box she made a few years ago for her grandmother, **Marilyn Jenkins**. She noted that **Jerry Kranz's** wife used to make these. Alyssa also showed her first scrolled piece, a flower to which she applied paint.



Our senior woodworker, **Charles Trabold** wanted to show a piece related to the evening's topic so he brought a clock he previously designed and constructed using spalted wood. It is a timeless piece.

The trucks are invading! Inspired by **Wilbur Chatterton's** trucks, **Mike Shuron** built and showed five of the construction vehicles he recently completed. He used lots of different scrap wood and each truck has a natural finish. Mike designed the flatbed truck using the cab from another as a guide. Most of the designs are based on the series published in *Wood* magazine. **Linda**, Mike's wife, is wondering if the house will be overtaken by the trucks.



Our next presenter was new member **Jonas Rodriguez**. He showed four bandsaw boxes, each with a name. – Wild Play, Undertow, Airborne, and Seven Sisters. Jonas used

**Lois Ventura's** book, *Building Beautiful Boxes with Your Band Saw* as a guide to his construction. The drawers of each box are flocked and the outsides have six coats of a mixture of boiled linseed oil, polyurethane, and mineral spirits before buffing each box on a Beall buffing system. (continued on page 5)

## ANNUAL SWWA FAMILY PICNIC

Saturday, August 2<sup>nd</sup> 1-4 pm

**LOCATION:** Belgium Cold Springs Fire  
Department Station 1, Community Room  
7920 River Road, Baldwinsville  
[DIRECTIONS BELOW]



Our sign-ups continue at the July meeting. This is a family event. Bring the kids, parents, partners, uncles, aunts, etc. Attendees bring a **dish to pass** — a salad; a dessert; a hot pot of potatoes, beans, etc; an appetizer; whatever — and their own **table setup** (plate, silverware, etc). The club will provide wonderfully roasted pork AND beef cooked by our own chef, *Roland Pearson*. As usual, the club provides drinks which is why we need to know the numbers.

During the picnic, we also have an **Instant Gallery** [a *Silent Show & Tell* area]. Tables are lined up where members and guests can show their works. It is a great way to show family members projects by others as well as yourself!

What do you need to do? Talk to your family. Get it on your calendar today. Decide what you will bring. On the 2<sup>nd</sup> of August, arrive at 1pm and enjoy! Bring a few items with you for the **Instant Gallery**. Barbara will make another fun crossword puzzle. We'll have a good time as usual!

*We know your summer is full of family events, why not make this one of them?*

### **DIRECTIONS TO PICNIC LOCATION – Belgium Cold Springs Station 1 – Community Room**

**General Directions:** The firehouse is at **7920 River Road** (for the GPS) – That's north of John Glenn Blvd., east of Route 370 & south of Route 31 at the intersection of River Road, Hicks Road & Patchett Road.

**DO NOT PARK in front of Overhead Doors. Park on the North Side of the Firehouse.**

**From John Glenn Blvd.** - Take Route 370 north from John Glenn over the bridge. After the bridge, take your first right at Cold Springs (past the Elks) onto River Road. Drive 2 miles and firehouse will be on right. Park on the north side in the lot away from the overhead doors. If you miss the right onto River Road, drive 2.2 miles north to Hicks Road. Take Hicks to the 5 way intersection, turn right onto River Rd and then left into the firehouse parking lot.

**From Baldwinsville** - There are 2 ways: (1) Drive 2.2 miles from intersection with Route 370 [near Mavis Tire/Cole Muffler] out of Baldwinsville on Route 31 East. This takes you to the 3<sup>rd</sup> traffic light past Cole Muffler. Take the right onto River Rd just before the Belgium Bridge. Drive 1.5 miles south on River Road to the 5 way intersection. Bear left following River Road and turn left into the firehouse parking lot. (2) Or, take Route 370 out of Baldwinsville [at the Y before mavis Tire/Cole Muffler], drive 1.6 miles south. Take the left at Collington Point Dr [its near the top of a hill]. Then turn right onto Patchett Road before going into housing development. Drive one mile to the 5 way intersection, turn right onto River Rd, and then left into the firehouse parking lot.

**From Route 481 via Rt 31** – If you come from 481 north, take the exit for Rt 31 and turn left. River Road will be the 8<sup>th</sup> traffic light after you turn onto Rt 31. The 6<sup>th</sup> light is Rt 57. The turn is just over the bridge. Turn left onto River and drive 1.5 miles south to the 5 way intersection. Bear left onto River Rd and turn into the parking lot.

## OUR JUNE MEETING, *continued*

Our final presenter was **Lee Eckl** with his Stickley-inspired #800 sideboard. Lee recovered the wormy cherry he used for the sideboard from his great-grandfather's barn with help from his neighbor **Greg Kubinyak**. Initially, Lee built boxes for his relatives and even made an end table from the wood. But, his wife wanted a sideboard for the dining room. The top pieces are biscuit joined for alignment and Lee used mortise and tenon joinery to assemble the parts. He used metal slides for the drawers which have maple sides. Lee figures it took him 3-4 months over time to complete it. Since he is a new chief in the Syracuse Fire Department, he doesn't have lots of continuous time to work on projects like this.

Nice *Show & Tell* event everyone. Thank you for sharing. Below are the remaining photos.



### SWWA SCROLLING INTEREST GROUP

**Meeting Night:** Third Wednesday of the Month at 6:30 pm

**Next Meeting:** Wednesday, October

15<sup>th</sup> at the *Belgium Cold Springs Station 1*

**Topic:** TBD

**Also:** Show & Tell & Woodworking Questions Answered

The next meeting of the Scrolling Interest Group is **Wednesday, October 15<sup>th</sup>** at the Belgium Cold Springs Station 1 Community Room, 7920 River Road, Baldwinsville. We are not sure what the topic will be. Watch the newsletter for more information. ✂

### REMAINING 2014 MEETINGS

**August 2** – Annual Family Picnic *[new date!!]*

**August 7** – Super Show & Tell

**September 4** – Making a Mallet  
with Charlie & Rod

**October 2** – Cutting Mortise & Tenon  
with Bruce & Tony

**November 6** – 9<sup>th</sup> Annual Woodworker's  
Challenge

**December 4** – Annual Holiday Party



## UPGRADING MY DUST COLLECTION SYSTEM by Tony Baleno

Several months before I left for South Carolina this year, I came to the conclusion that I needed to update my dust collection system with better technology. I first installed my system back in the early '90s so it is definitely dated. The unit I had was a Grizzly 2 HP twin bag dust collector. The original unit came with 30 micron bags that I subsequently upgraded several years back to 1 micron bags. These bags also offered a larger surface area for improved CFM.

My system worked well for me but it was annoying that as the lower bag of the dust collector filled with chips, the CFM decreased as more and more of the bag surface was blocked. Of course with lower CFM you don't get the same level of suction and the performance of the system drops off pretty quickly. Just planing a couple of 1X12 pine boards nearly filled the bags and greatly reduced the suction. I came to the conclusion that I needed to separate the real fine dust from the coarser heavier chips. I searched the Internet and found several manufacturers of cyclone products that could do what I was looking for. There were also a large number of plans for "build it yourself" cyclones that also claimed to do the job.

The one that caught my eye and impressed me the most was the cyclone manufactured right here in good old Syracuse at Oneida Air Systems (OAS). I watch several videos from Oneida as well as a number of *YouTube* owner videos touting the results for the system Oneida manufactures. The unit that I liked the best was the **Super Dust Deputy**. The Super Dust Deputy (SDD) is the big brother of the Dust Deputy that was donated to the club by OAS for the March meeting. I chose the molded plastic version for price and weight reasons as well as I thought it had some incremental advantages of the all metal version. Click [here](#) if you want to see a video showing an installation of the SDD.

I ordered the unit from OAS and was able to pick it up at the factory on West Fayette St without any problems...saving on the shipping costs everyone else would charge. I also got to meet *Dan Knapp* when I picked up the unit at the shop. He was extremely helpful and ultimately came to the club as the March speaker on dust collection. Thanks much Dan.

When I ordered the unit, I wasn't exactly sure what else I might need for the installation and told Dan I would be back once I figured out how I was going to install the SDD. Having an existing system, I wanted to give some careful thought as to placement and how I would integrate the unit with the existing system. I decided on what I felt was the best approach to what I needed and called in another order to Dan. I picked these parts up before heading south but did not complete the installation until after I returned.

Since I was working with a previously installed system, there were a few times when I took two steps forward and one backward but we all know what "field



Completed installation of the Super Dust Deputy showing connections to existing system.

Super Dust Deputy showing 4" (black pipe) inlet and 5" (clear hose) outlet to blower.



modifications" mean. The SDD comes as a one piece unit made of injection molded plastic (right here in Syracuse) and is set up to take a 5" inlet and a 6" outlet. So the install was basically very simple: break the suction line from the tools to the existing dust collector and insert the SDD between them. This took an adapter to get the 5" inlet down to match my 4" tool suction line as well as another to reduce the 6" outlet down to 5" to match the inlet to the blower. Dan and OAS were very helpful in supplying these additional parts for the hookup. I had the 5" suction hose and a couple of other fittings in stock so I was able to make the connections work. There is about 8.5' of 6" suction hose that makes the connection from the blower inlet to the outlet of the SDD. Because of the weight of the hose, I chose to provide rigid support for it so that it would have minimal movement under suction. What looks like a section of 5" duct work is just that but it is used only as a support around the exterior of the 5" hose to take strain off of the top of the SDD outlet fittings.

If I had a shop with more head room, I would have liked to direct couple the 5" suction port on my blower directly to the SDD and pipe the exhaust over to the bag unit. I think that would have been a better installation.

## Upgrading My Dust Collection System, *continued*

I wanted the SDD to be mounted in a permanent fashion rather than having it sit on the top of the chip collection bin so I mounted it on a piece of 3/4" plywood the was a sink cutout I had saved...Formica and all. Because of this I found that I would need to have a flange connection on the bottom side of the plywood as well as a 12" section of 6" flex hose that would connect to another flange connector mounted on the top of my collection barrel. I was able to purchase all of these parts through OAS with Dan's help. I must say that the OAS flanges are of *battle ship* construction using heavy gauge steel with welded joints to hold up to a lot of use. While OAS does provide the required bolts, washers and nuts for the connection of the flanges, I had to buy some longer bolts to accommodate my design...but I did use the washers and nuts provided.

Mounting the SDD on the plywood base necessitated coming up with a separate cover for the chip barrel. The cover I designed fits a 30+ gallon garbage can. I constructed it from a lamination of two pieces of 5/8" particle board. I cut the circles using my router with a circle cutter (what else would I use?). I then proceeded to rout a rabbit in the bottom of the cover that would allow it to fit onto the rim of the container. I lined this with a foam rubber gasket to ensure a good seal once it was done. Lastly, I cut the 6" hole in the center to take the OAS flange for the chip dropouts. (Remember, when you are cutting concentric circles with a router, you always cut the innermost one last so that you still have a center point.) With a quick coat of paint, this made a nice snug, tight sealing cover for the system. You have to make sure that you have a good seal here or else the leaking air will not allow the chips to fall into the container. To add a finishing touch, I made a simple roll around base for the chip barrel from a school desk top I found when I was rearranging the area around the dust collector. Four swivel casters screwed to the bottom and four barrel centering cleats on the top worked out well to make it easy to move and remove the bin for dumping.

I thought about adding screw eyes to the cover and the roll around base to attach bungee cords to secure the cover but found with my initial test that the rabbit and gasket made a good seal without the bungees. When the barrel is filled, I need only to lift the cover off and roll the barrel away to dump it. I think the next modification will be to install a Plexiglas view port on the side of the barrel near the top so that I can easily tell when the can is full.

If you still have a system similar to what I had, you may want to look into making a similar upgrade to your system. I am sure that Dan at OAS would be willing and able to help you find exactly what you need for your project. While we might all enjoy a complete new system, this approach gets you there without having to replace your original system. It also saves you quite a bit of money. If you have outgrown your system and really do need something bigger and better, check out the hometown guys at OAS first to see what they can do for you. ✂



Chip collection bin on rolling base connected to chip outlet of the SDD

## COMMUNITY SUPPORT: *VOLUNTEERS NEEDED*

The **New York State Fair** runs from **Thursday, August 21<sup>st</sup> thru Monday, September 1<sup>st</sup>**. For all 12 days, members of SWWA will be in the Witter Museum demonstrating old fashioned woodworking. Why not join us?!? It is a lot of fun. We have the club workbench, a shaving horse, the treadle scrollsaw, and the spring pole lathe. Lots of opportunity for you to do something whether it be cutting on the scrollsaw (it really is not hard), cleaning up logs



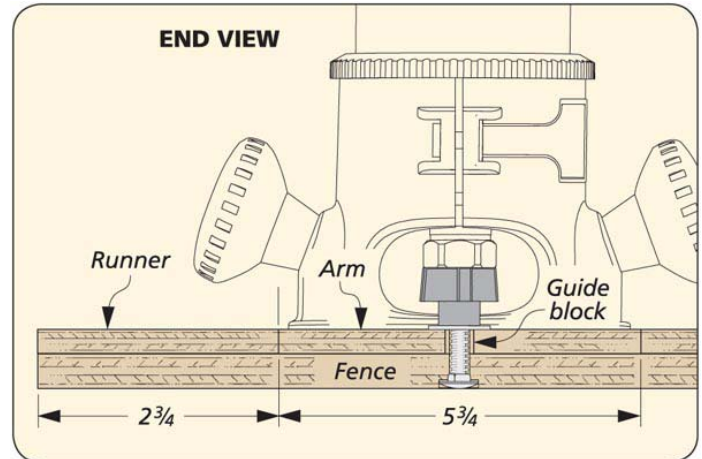
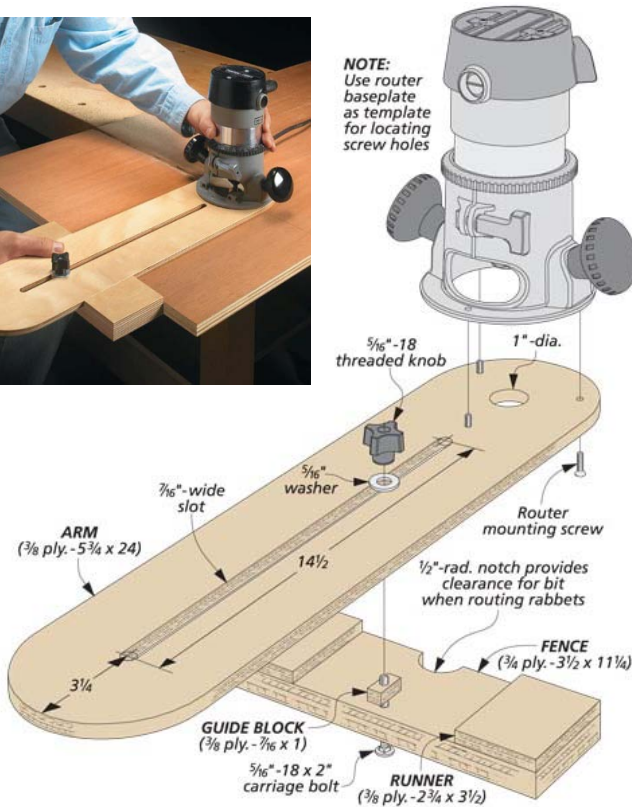
for the lathe, cleaning up old shingles for reuse on the scrollsaw, cutting boards, talking about wood, whatever. We will also be making Shaker boxes on the first weekend – another opportunity. So, look at your calendar, bring your available dates to the June meeting. You will receive a ticket and, if needed, parking pass for each day you work. If you are taking the bus and/or car pooling, make sure to note that on the sign-up sheet. You've heard how much fun we have, find out for yourself! If anything, it is great people watching! The building opens at 10am so we ask that you arrive by 9:30am if you are working the early shift. If you are coming for the late shift, we ask that you arrive around 3pm. The museum closes at 8pm and if we are not busy, we shutdown earlier than that. Remember, we demo, we talk, we talk, we demo. Thank you for volunteering!





## SHOP TIME: ESSENTIAL ROUTER ADD-ON

You may use an edge guide to rout grooves and dadoes but I bet your guide doesn't have enough reach to rout more than a few inches from the edge. Build your own guide like this one. Use 3/8" plywood to make the long arm. Keep the arm square using the tips in the diagram to the right. ✂



# SPECIAL EVENT!

## Wood-Mizer in Action!

Saturday, July 19 – 9am - ?

Raindate is Sunday, July 20

8 Acres Event Center Lawn

John Anderson will be using his Wood-Mizer to saw an 11 foot by 21" diameter ash log into lumber. All are invited to attend AND if you have a log you want sawn, bring it along! A great learning experience! More info → contact Charlie LaPrease at 720-7151.

## BRIEFLY ...

✂ The [Ottawa Woodworkers Association](http://www.ottawawoodworkers.com) is holding a limited attendance conference focused on furniture on September 26-28 in Perth, Ontario. Information available at the meeting and at [woodworksconference.com](http://www.woodworksconference.com).

✂ Thanks to those who helped out at Seneca River Day on June 14<sup>th</sup> – **Bob Casey, Phyllis Eckenrode, Mic Jenkins, Charlie LaPrease, Doug North, Larry Prunotto, and Jerry Sweeney**. Despite the cold and windy conditions, we did add \$80 to our charity account.

✂ **Barbara & Charlie LaPrease** are members of the Belgium Cold Springs Fire Department where we hold our annual family picnic, the scrolling meetings, and board meetings. The Department is raffling a Kymco MXU 500 ATV. Tickets are \$20. There are monetary prizes for 2<sup>nd</sup>-5<sup>th</sup> prize. If you have an interest, please see Barbara or Charlie at a meeting or event.

✂ The SWWA Member Handbook is updated with information as of June 1<sup>st</sup>. The updated member section was emailed to all members. A few printed copies are available at the meetings.





## COMMUNITY BULLETIN BOARD

**FREE: Several Scrollsaw Pattern books.** Will be at the meeting for the taking. Courtesy of *Ed Essel*.

**WANTED:** Baldwinsville-based artist needs someone to **teach her how to make simple hinged boxes.** Contact

Linda Easterly at [kitasmom@verizon.net](mailto:kitasmom@verizon.net). No idea if willing to compensate for your time. Don't be afraid to ask.

**FOR SALE: Jet JJP-16BTOS 10" Jointer/Planer.** Like New! [4Real] \$325. **Hitachi C 10FL Table Saw.** Little Use, Great Saw. \$500 Please call for appointment – Rick Simmons at 857-4353

**FOR SALE: Books:** *The Encyclopedia of Shaker Furniture* by Rieman & Burks \$80. *The Book of Shaker Furniture* by Kassay \$35. *The Complete Book of Shaker Furniture* by Rieman & Burks \$25. Contact Jim Porter at [porterjim@roadrunner.com](mailto:porterjim@roadrunner.com) or 315-853-1231.

**FOR SALE: Honduras Mahogany** 10-12" long, 1-3" thick, 10-12" wide. Contact Albert Bayus at 252-0859.

**FOR SALE: Rakuda flexible-shaft reciprocating power carver** powered by Baldor 1/2HP, 3450 RPM, TEFC motor with custom base. Five gouge bits included. Purchased ca.1993 and used a total of one day at most. LIKE NEW. Did not suit my applications and in storage since. \$225 firm. Contact Barry Gordon at 638-4749

**FOR SALE: DEWALT Model DW788 TYPE 1 Scroll Saw** 20 INCH with extra blades. \$250.00. Contact Bill Brown at [wpb529@aol.com](mailto:wpb529@aol.com) or (315) 289-2909.

**FOR SALE: White Oak – about 200 board feet, dried 18 years.** 10"-20" wide and all about 10 feet long. Contact John Anderson (315) 408-6030 or [mscoolcows@aol.com](mailto:mscoolcows@aol.com).

**FOR SALE: Woodmaster Drum Sander.** Variable speed, reversible drum sander requires one 230v, 30amp, and one 115 volt 15amp circuit. Included – specially designed dust collector, feed roller stand, 3 full & several partial rolls of sanding material, amp meter panel to monitor working load, automatic delay start for dust collector, operator's manual, VHS tape. \$2300. Contact Bill Noroski at 457-1839.

**FOR SALE: Delta 10" Contractor Saw \$450. Dewalt 788 Scroll Saw.** Used twice; \$300 or best offer. Older **Craftsman 4" Jointer** \$50. Contact Bill Kaminska at 243-0247 or [billkaminska@aol.com](mailto:billkaminska@aol.com).

**FOR SALE: Hegner Model Scroll Saw with stand,** excellent condition with low usage. Asking \$900 or best offer. Contact Ed Kashmer at 315-668-9896.

**FOR SALE: Grizzly Model G1182 6" Jointer** with mobile base, 1hp 110v/220v 13amp, 3 blade cutter head, 2 sets of sharp blades, 4" dust port. \$300. Contact Kevin Rawlings at 638-1415.

**NOW AVAILABLE: Sanding & New Finishing Mops.**

Barbara has several traditional sanding mop kits and refills in different grits. She also has the new 2", 4", and 6" finishing mops. Contact Barbara Raymond-LaPrease at 638-1217 or via email at [barbchas@twcnny.rr.com](mailto:barbchas@twcnny.rr.com).

**From Bob Norton for Rebuilding Batteries:**

**Interstate Batteries** is located at 393 North Collingwood Ave, Syracuse, NY 13206. Phone is 315-437-9075.

**Battery World** – 6570 Townline Road, Syracuse, 13206 Phone is 315-437-1404. Open M-F 8-5 and S 8-noon

**Lakeshore Hardwoods** – Specializing in KILN DRIED hardwood for Cabinet Makers, Furniture Makers, Woodworkers, and Hobbyists. Many thicknesses and lengths available including thin stock and turning squares. Visit [www.lakeshorehardwoods.com](http://www.lakeshorehardwoods.com) for more information. Call Brian Leary at 315-298-6407 for the **Main Store**, 30 minutes north, just south of Pulaski at 266 Manwaring Road. Open Mon-Thurs 8am-5pm, Fri 8am-4pm, & Sat 9am-2pm. Brian has two **Satellite Stores**: The first at 191 West Main St (Route 96) in Victor, NY [585-869-5118]. Open Tues-Fri 9am-5pm & Sat 9am-3pm. The second is in Syracuse at CAB FAB's facility at 124 Burnet Ave. [315-701-4383]. Open Mon-Fri 8:30am-5:30pm.

**The Sharpening Shed, Inc.** at 8904 Shellman Drive, Cicero (699-2513). Don Kelly, who runs the shop, gives 10% senior discount and guarantees his work.

**Club Deal – Woodline** – 10% discount off advertised prices for all products. Call 800-472-6950 to order and identify yourself as an SWWA member. Check [www.woodline.com](http://www.woodline.com) for product info.

**Club Deal – Klingspor** – 10% discount off all non-powered merchandise in catalog. Call 800-228-0000 and identify yourself as an SWWA member. Check [www.woodworkingshop.com](http://www.woodworkingshop.com) for product info. S.

## GENERAL NOTICES

**Meetings** — Meetings are great with everyone helping to either setup or tear down the room. Keep up the hard work since it makes for a better experience for everyone! Barbara gets there around 5pm.

**DON'T FORGET** – At all meetings ... PLEASE turn those phones to vibrate and keep side conversations down to a whisper! ✨

**Snacks** — The club provides coffee and purchased snacks for meetings with Charlie Wright coordinating this task. Your homemade goodies are always welcome and have been WONDERFUL in the past few months! For those of you who have generously brought food during the past year, we thank you. Thanks again and as always, we welcome your help! ✨



## Sawdust & Woodchips Woodworking Association

c/o Mrs. Barbara Raymond-LaPrease, President

[barbchas@twcny.rr.com](mailto:barbchas@twcny.rr.com)

3409 Patchett Road – 8 Acres Event Center  
Baldwinsville, NY 13027

TO:

### **NEXT MEETING**

**WHEN:** Thursday, July 10, 2013  
Meeting Starts at 6:30pm  
Come Visit with Colleagues at 6pm

**WHERE:** Canton Woods Senior Center  
76 Canton Street  
Baldwinsville, NY 13027

**WHAT:** It's Jig Night!  
*with You as the Star!*

**DON'T FORGET: *YOUR PROJECTS FOR  
SHOW & TELL***

### **Directions from Syracuse & Suburbs to Canton Woods:**

Take 690 West to Thruway, at which time 690 West becomes 690 North. Go two exits north past Thruway-Exit 1 to the exit named *Route 31 – Baldwinsville & Jordan*. This exit drops you onto Downer Street (Route 31). Make right onto Downer Street. About one mile east on Downer Street is Canton Street. [There is a sign for the Museum & Canton Woods at the corner.] Make right onto Canton Street. Travel about ¼ of a mile. Canton Woods Senior Center will be on the right just past a stand of trees.

*See you there!*